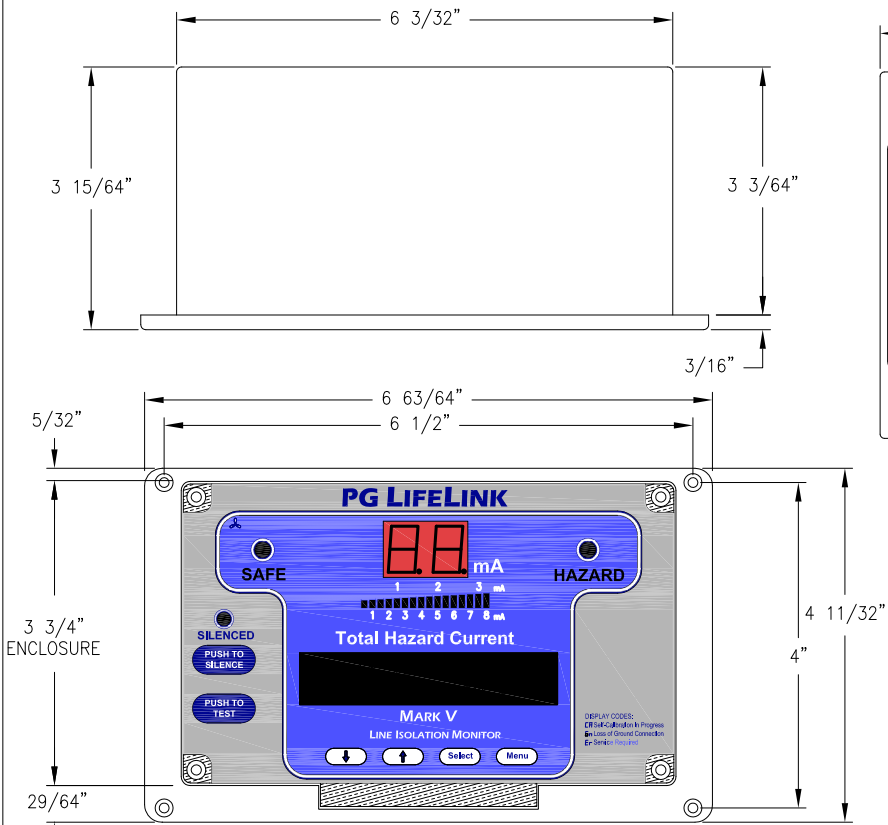
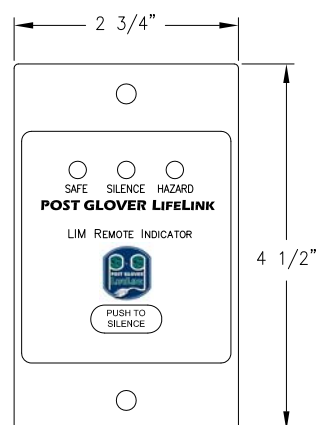


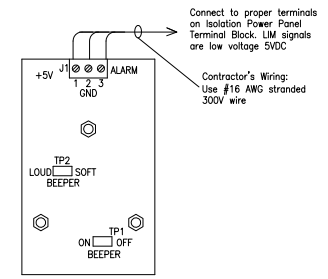
Mark V LIM



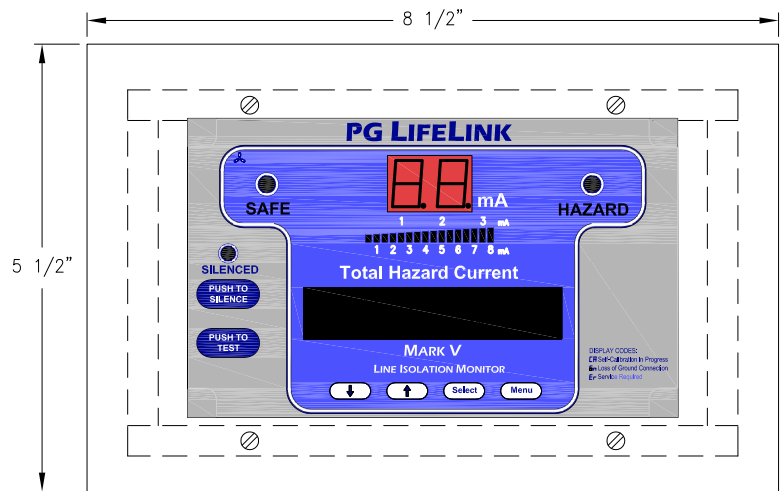
DRA-1 Remote



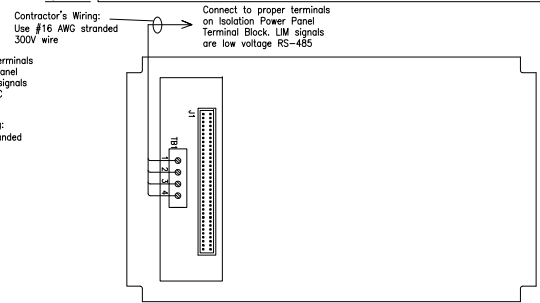
DRA-1 Wiring Diagram



DRA-VS Remote



DRA-VS Wiring Diagram

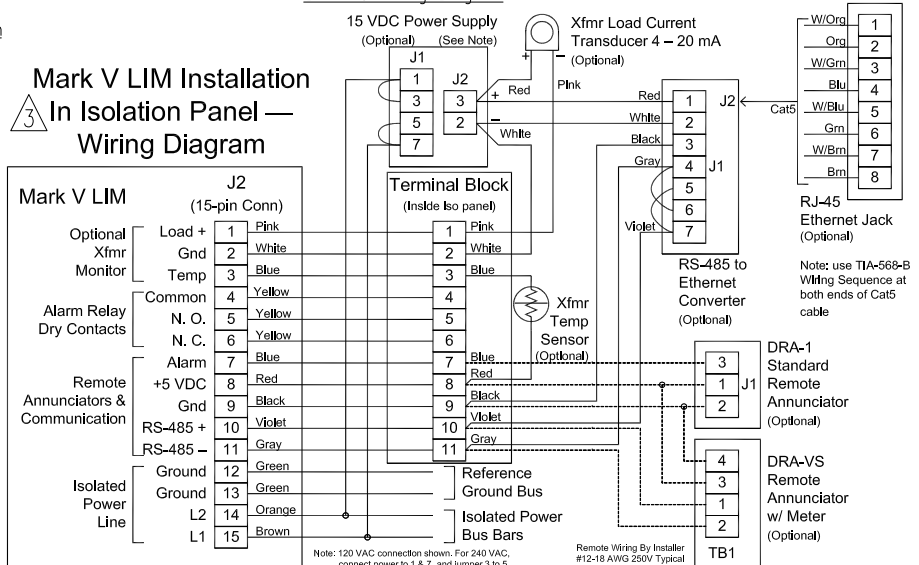


REFERENCE ONLY

NOTES:

1. The NFPA requires that a remote annunciator be used when LIM is not installed inside patient care area. Check local codes for specific requirements.
2. LIM can operate a maximum of 3ea. remotes in parallel. Maximum total length of remote wiring is 50ft. Only remote annunciators listed above are compatible with Mark V.
3. Installations other than as noted in #2 may require special engineering and additional equipment. Contact Sales for special applications.
4. Verify nameplate voltage on LIM matches system line voltage before energizing LIM.

Mark V LIM Installation In Isolation Panel — Wiring Diagram



ECN#08-246. CORRECTED TERMINATION OF GRAY AND VIOLET WIRES.	JJM	12/22/08	03
ECN#08-204. REMOVED DRA-1S AND REPLACED WITH DRA-VS.	JJM	10/09/08	02
ECN#08-149. ADDED NOTE ABOUT REMOTE CONFIGURATION.	JJM	07/30/08	01
REVISIONS			



PG LIFELINK
167 GAP WAY
ERLANGER, KY U.S.A. 41018 (859) 283-5900
COPYRIGHT © 2008

TITLE/DESCRIPTION:
LINE ISOLATION MONITOR, TYPE MARK V, SINGLE PHASE, 120 VOLT (208/-240V SELECTABLE), 5mA (2mA SELECTABLE), 60Hz (50Hz SELECTABLE)

DFTR: JJM DATE: 06/30/08 DWG. NO.: INST0003 REV.: 03

THIS DOCUMENT AND THE INFORMATION IT CONTAINS ARE THE PROPERTY OF POST GLOVER LIFELINK. IT IS DISCLOSED FOR THE PURPOSE FOR WHICH IT IS FURNISHED AND SHALL NOT BE DUPLICATED OR DISTRIBUTED.